

Mast Chart BRSP-7

BR18SP-7

Mst Type	Max. Fork Height	Overall Height			Free Lift /W STD. LBR	Fork T x W x L (STD) in	Carriage Width (STD) in(mm)	Tilt Range	
		Lowered	STD. LBR	Extend /W STD. LBR				FWD	BWD
FFT	198 (5030)	91.0 (2310)	48 (1220)	246.9 (6270)	42.1 (1070)	1.75 x 4 x 42 (45 x 100 x 1050)	32 (813)	3	4
	210 (5330)	95.0 (2410)	48 (1220)	258.7 (6570)	46.1 (1170)	1.75 x 4 x 42 (45 x 100 x 1050)	32 (813)	3	4
	240 (6100)	107.5 (2725)	48 (1220)	288.8 (7335)	58.4 (1485)	1.75 x 4 x 42 (45 x 100 x 1050)	32 (813)	3	4
	253 (6430)	111.5 (2835)	48 (1220)	301.8 (7665)	62.8 (1595)	1.75 x 4 x 42 (45 x 100 x 1050)	32 (813)	3	4
	258 (6550)	113.0 (2875)	48 (1220)	306.5 (7785)	64.3 (1635)	1.75 x 4 x 42 (45 x 100 x 1050)	32 (813)	3	4
	270 (6890)	117.5 (2990)	48 (1220)	319.9 (8125)	68.9 (1750)	1.75 x 4 x 42 (45 x 100 x 1050)	32 (813)	3	4
	289 (7340)	126.5 (3215)	48 (1220)	337.8 (8580)	77.7 (1975)	1.75 x 4 x 42 (45 x 100 x 1050)	32 (813)	3	4

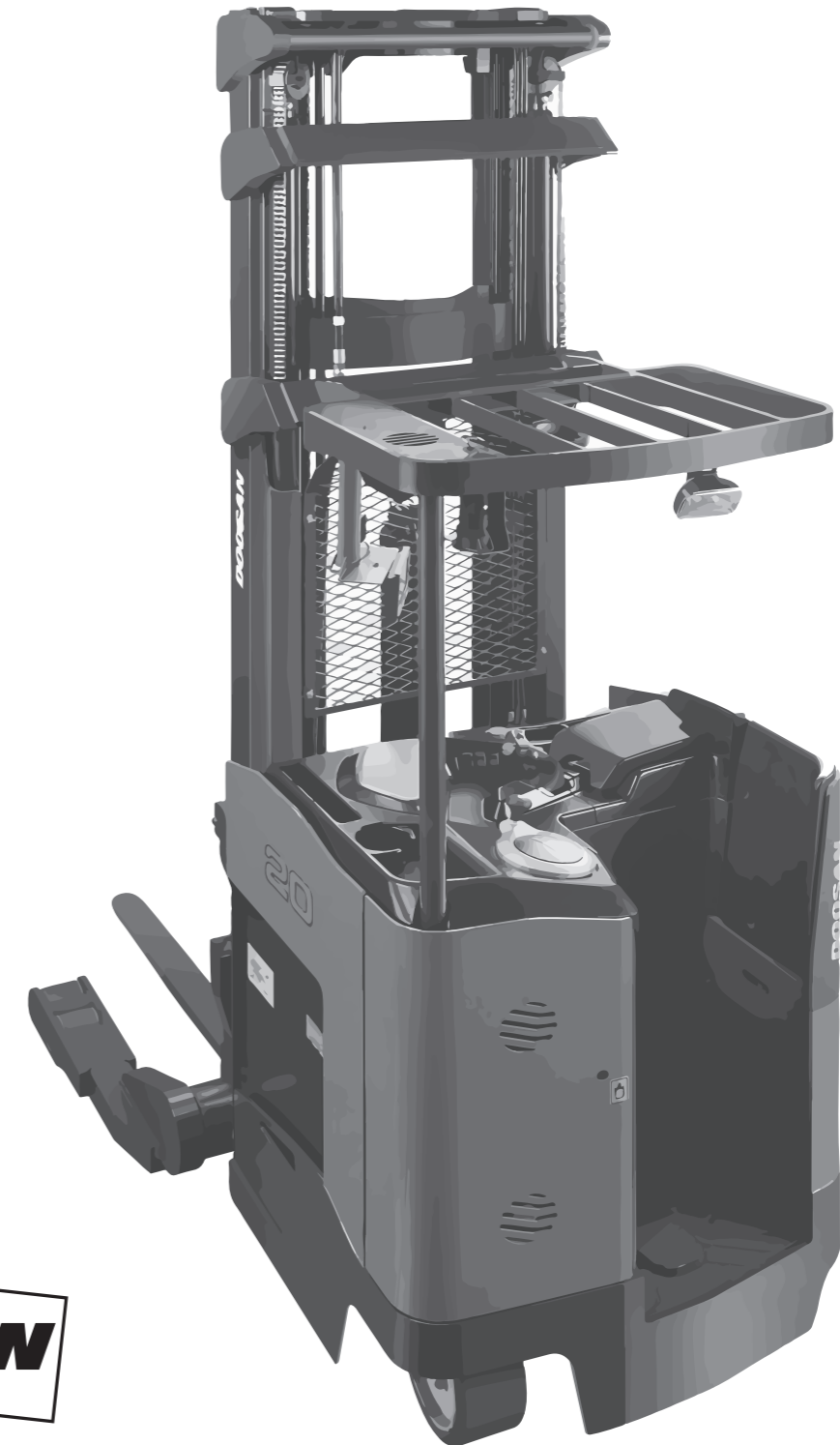
BR20SP-7

Mst Type	Max. Fork Height	Overall Height			Free Lift /W STD. LBR	Fork T x W x L in	Carriage Width (STD) in(mm)	Tilt Range	
		Lowered	STD. LBR	Extend /W STD. LBR				FWD	BWD
FFT	198 (5030)	91.0 (2310)	48 (1220)	246.9 (6270)	42.1 (1070)	1.75 x 4 x 42 (45 x 100 x 1050)	32 (813)	3	4
	210 (5330)	95.0 (2410)	48 (1220)	258.7 (6570)	46.1 (1170)	1.75 x 4 x 42 (45 x 100 x 1050)	32 (813)	3	4
	240 (6100)	107.5 (2725)	48 (1220)	288.8 (7335)	58.4 (1485)	1.75 x 4 x 42 (45 x 100 x 1050)	32 (813)	3	4
	253 (6430)	111.5 (2835)	48 (1220)	301.8 (7665)	62.8 (1595)	1.75 x 4 x 42 (45 x 100 x 1050)	32 (813)	3	4
	258 (6550)	113.0 (2875)	48 (1220)	306.5 (7785)	64.3 (1635)	1.75 x 4 x 42 (45 x 100 x 1050)	32 (813)	3	4
	270 (6890)	117.5 (2990)	48 (1220)	319.9 (8125)	68.9 (1750)	1.75 x 4 x 42 (45 x 100 x 1050)	32 (813)	3	4
	289 (7340)	126.5 (3215)	48 (1220)	337.8 (8580)	77.7 (1975)	1.75 x 4 x 42 (45 x 100 x 1050)	32 (813)	3	4
	300 (7610)	130.0 (3305)	48 (1220)	348.5 (8850)	81.3 (2065)	1.75 x 4 x 42 (45 x 100 x 1050)	32 (813)	3	4
	318 (8075)	139.5 (3540)	48 (1220)	367.0 (9320)	90.5 (2300)	1.75 x 4 x 42 (45 x 100 x 1050)	32 (813)	3	4

Electric Pantograph Reach Truck

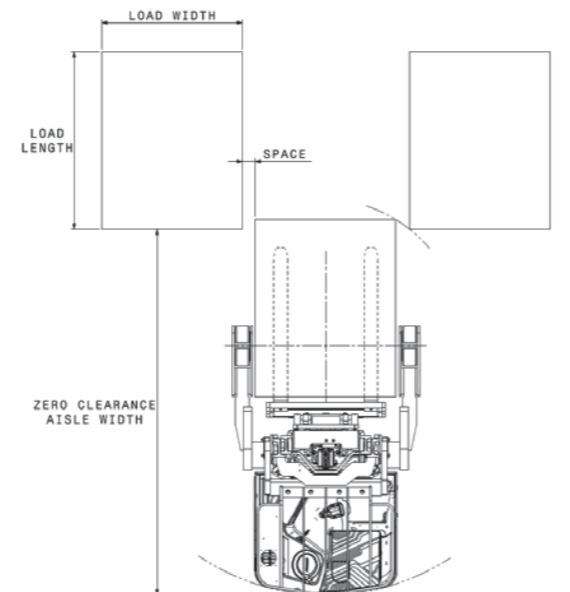
3,500lbs - 4,000lbs Capacity

BR18/20SP-7



Truck with 16.4" battery & 42" ID & 4" space					
Pallet length	Pallet width				
	in (mm)	36 (914)	40 (1016)	44 (1118)	48 (1219)
36 (914)	86.5 (2198)	86.1 (2187)	85.6 (2174)	85.1 (2162)	
40 (1016)	91.3 (2319)	90.9 (2310)	90.6 (2301)	90.2 (2291)	
44 (1118)	95.8 (2434)	95.5 (2426)	95.2 (2419)	94.9 (2411)	
48 (1219)	100.2 (2545)	99.9 (2538)	99.7 (2532)	99.4 (2525)	

- NOTE :
- Aisle width values shown are based on a 16.4 in. battery compartment and a 42 in. base leg opening (inside)
 - Subtract 2 in. (50mm) for 14.4 in. battery compartment.
 - Add 4.5 in. (115mm) for 20.9 in. battery compartment
 - Add a minimum of 6 in. (150mm) to 12 in. (305mm) for easy maneuvering



BRSPV1-14



Doosan Industrial Vehicle America Corp.
 2475 Mill Center Parkway Suite 400
 Buford, GA 30518
 Tel: 678-745-2200 Fax: 678-745-2250
 www.doosanlift.com



BR18/20SP-7 SPECIFICATION SHEET

REV : 2014.10.13

		DOOSAN				
		BR18SP-7		BR20SP-7		
General	Manufacturer	DOOSAN				
	Model					
	Capacity	lb(kg)	3500 (1600)	3500 (1600)	4000 (1800)	4000 (1800)
	Battery Compartment	in	14.4	16.4	16.4	20.9
	Load Center	in(mm)	24 (600)			
	System Voltage	V	36			
	Operator Type		Rider Reach			
Weight	Tire Type: Load/Caster/Drive		Poly / Poly / Poly (Vulkollan)			
	Wheel, Load/Caster (Drive x)		4 / 2 (1x)			
	Total Weight (34" Base Leg, FFT 240", /w LBR,Fork)		7255 (3291)	7592 (3444)	7592 (3444)	8283 (3757)
	Weight W/out Battery at 240" MFH Mast (34" Base Leg)	lb(kg)	5655 (2565)	5692 (2582)	5692 (2582)	5783 (2623)
	With Load,Front at 240"	lb(kg)	6336 (2874)	6891 (3126)	6891 (3126)	7542 (3421)
	With Load,Rear at 240"	lb(kg)	4447 (2017)	4229 (1918)	4229 (1918)	4268 (1936)
	W/out Load,Front at 240"	lb(kg)	2610 (1184)	2812 (1275)	2812 (1275)	3151 (1429)
Dimensions - Chassis	W/out Load,Rear at 240"	lb(kg)	4645 (2107)	4781 (2169)	4781 (2169)	5132 (2328)
	14.4" Battery Min	lb(kg)	1600 (730)			
	16.4" Battery Min	lb(kg)	1900 (860)			
	18.4" Battery Min	lb(kg)	-			
	20.9" Battery Min	lb(kg)	2500 (1130)			
	Guard Height (From Ground)	A in(mm)	95 (2410) (91" at 198" Mast)*			
	Wheel Base	B in(mm)	58 (1475)	60 (1525)	60 (1525)	64.5 (1640)
	Head Length (Length to Fork Face + Side Shift)	C in(mm)	52.5 (1335)	54.5 (1385)	54.5 (1385)	59 (1500)
	Truck Length	D in(mm)	72.8 (1850)	74.8 (1900)	74.8 (1900)	79.3 (2015)
	Power Unit Length	E in(mm)	32.7(830)	34.7(880)	34.7(880)	39.2 (995)
	Power Unit Width	F in(mm)	40.5 (1030)			
	Power Unit Height	G in(mm)	57.8 (1468)			
	Dimensions - Front End	Base Leg Opening (Inside)	H in	34, 36, 38, 40, 42, 44		
Base Leg Width (Outside)		I in	Inside Plus 11.4"			
Base Leg Width		in(mm)	5.7 (146)			
Step Height		J in(mm)	11.4 (290)			
Battery Roller Height		K in(mm)	6.7 (170)			
Drive Axle to End of CWT		L in(mm)	9.25 (235)			
Underclearance (Center of Wheelbase)		M in(mm)	2 (50)			
Outside Turning Radius		N in(mm)	67.4 (1713)	69.4 (1763)	69.4 (1763)	73.9 (1878)
Right Angle Stack Aisle (48"x40" in pallet) Add 2" for sideshift		in(mm)	See the RASA Sheet			
Operator Compartment						
Height		in(mm)	81.3 (2065)			
Length		in(mm)	17.7 (450)			
Width		in(mm)	17.9 (454)			
Battery Compartment	Track (Tread) / Rear	in(mm)	28.5 (725)			
	Maximum Fork Height	O in(mm)	See the Mast Chart			
	Mast Lowered Height	P in(mm)	See the Mast Chart			
	Mast Extended Height (With STD LBR)	Q in(mm)	See the Mast Chart			
	Free Lift (With STD LBR)	R in(mm)	See the Mast Chart			
	Carriage Width	S in(mm)	See the Mast Chart			
	LBR Height	T in(mm)	See the Mast Chart			
Ref. Battery Size	Tilt Angle Forward/Backward	U deg	3 / 4			
	Fork Size (H x W x L)	in(mm)	1.75 (45) x 4 (100) x 42 (1050)			
	Fork Adjustment (Min / Max)	V in(mm)	9 (240) / 29.5 (750)			
	Reach Stroke	W in(mm)	22.8 (580)			
Tire Size	Battery Size A - 14.4"	in(mm)	14.4 (366) x 38.75 (985) x 32 (810)			
	Battery Size B - 16.4"	in(mm)	16.4 (416) x 38.75 (985) x 32 (810)			
	Battery Size C - 18.4"	in(mm)	-			
	Battery Size D - 20.9"	in(mm)	20.9 (531) x 38.75 (985) x 32 (810)			
Performance	Battery Size A - 14.4"	in(mm)	13.37 (340) x 38.33 (974) x 30.56 (776)			
	Battery Size B - 16.4"	in(mm)	15.62 (397) x 38.33 (974) x 30.56 (776)			
	Battery Size C - 18.4"	in(mm)	-			
	Battery Size D - 20.9"	in(mm)	20.21 (513) x 38.33 (974) x 30.56 (776)			
Performance	Tire Size - Drive (Dia. x Width)	in(mm)	13.5 x 5.5 (344 x 140)			
	Tire Size - Caster (Dia. x Width)	in(mm)	7 x 2.44 (175 x 62)			
	Tire Size - Load Wheels (Dia. x Width)	in(mm)	5 x 4 (125 x 100)			
	Travel Speed Tractor First (Empty/Rated Load)	mph (km)	7.5 (12)			
	Travel Speed Forks First (Empty/Rated Load)	mph (km)	7.5 (12)			
	Lift Speed Loaded	fpm (mm/s)	69 (350)		65 (330)	
	Lift Speed Empty	fpm (mm/s)	120 (600)			
	Lower Speed Loaded	fpm (mm/s)	110 (550)			
	Lower Speed Empty	fpm (mm/s)	110 (550)			
	Reach Speed (In/Out), Empty	sec	Adjustable			
Gradeability - Loaded - Maximum	%	10				
Gradeability - Empty - Maximum	%	10				

*OHG Height Lower For 198" Mast

